

TANGRAM – TACT 4282

PROJECT PROJÉT
SPEC TYPE
NOTES



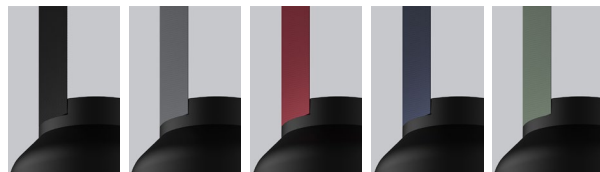
FIXTURE FINISH FINI DU LUMINAIRE



BLKE

WHE

STRAP FINISH FINI DE LA STRAP



BLKS

SGS

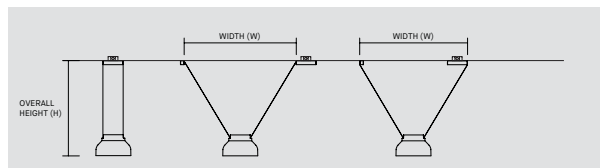
PNS

OBS

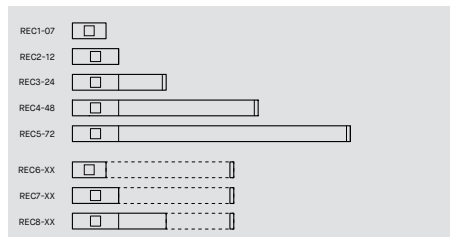
BGS

WIDTH & OVERALL HEIGHT REFERENCE

RÉFÉRENCE POUR LA LARGEUR ET LA HAUTEUR HORS-TOUT



MOUNTING OPTIONS OPTIONS DE MONTAGE



PRODUCT CHARACTERISTICS CARACTÉRISTIQUES DU PRODUIT



3.5"
(89mm)
x 3.5"
(89mm)

ORDERING SPECIFICATION SPÉCIFICATION DE COMMANDE

CODE

MODEL MODÈLE

(WITHOUT SPACER)

4282 TANGRAM - TACT

(WITH SPACER, PLEASE SEE CONFIGURATION PAGE)

4282-P01 TANGRAM - TACT WITH ONE 24" SPACER

4282-P02 TANGRAM - TACT WITH TWO 24" SPACERS

4282-P03 TANGRAM - TACT WITH TWO SPACERS, ONE 48" & ONE 7"

4282-P04 TANGRAM - TACT WITH ONE 7" SPACER

4282-P05 TANGRAM - TACT WITH ONE 48" SPACER

4282-P06 TANGRAM - TACT WITH ONE 48" SPACER

4282-P07 TANGRAM - TACT WITH ONE 24" SPACER

4282-P08 TANGRAM - TACT WITH TWO SPACERS, ONE 24" & ONE 7"

4282-P09 TANGRAM - TACT WITH TWO SPACERS, ONE 7" & ONE 24"

4282-P10* TANGRAM - TACT, TWO FIXTURES, ONE CANOPY & TWO ANCHORS

4282-P11* TANGRAM - TACT, FIVE FIXTURES, FOUR CANOPIES & TWO ANCHORS

4282-P12* TANGRAM - TACT, THREE FIXTURES, THREE SPACERS, TWO CANOPIES & TWO ANCHORS

* ONLY AVAILABLE WITH REC6, REC7 & REC8 MOUNTING OPTIONS

LIGHT SOURCE SOURCE LUMINEUSE

LED.LO LOW OUTPUT

LED REGULAR OUTPUT

LED.HO HIGH OUTPUT

COLOR TEMPERATURE TEMPÉRATURE DE COULEUR

27 2700K

30 3000K

35 3500K

40* 4000K

* LONGER LEAD TIME MAY APPLY, PLEASE CONTACT YOUR EUREKA REPRESENTATIVE

COLOR RENDERING INDEX (CRI) INDICE DE RENDU DE COULEUR (IRC)

90 90+ CRI

90

VOLTAGE VOLTAGE

120V 120 VOLT

277V 277 VOLT

CONTROL OPTION OPTION DE CONTRÔLE

DV 0-10V DIMMING (120V-277V)

DP PHASE DIMMING (120V ONLY)

NLTAIR2 NLIGHT AIR CONTROL GEN 2 (NOT AVAILABLE WITH REC1 & REC6 CANOPIES)

NLIGHT NLIGHT WIRED CONTROL (NOT AVAILABLE WITH REC1 & REC6 CANOPIES)

EMERGENCY BATTERY BATTERIE D'URGENCE

EM DRIVER BOX INCLUDED, INSTALLED REMOTELY, SEE EM GUIDE FOR DETAILS.

EMB* EMERGENCY BATTERY FOR REMOTE BOX

* 3981EA ACCESSORY IS REQUIRED FOR THIS OPTION

BEAM ANGLE ANGLE DE FAISCEAU

NA NARROW (25°)

ME MEDIUM (60°)

OPTICAL ACCESSORIES ACCESSOIRES OPTIQUES

CLR CLEAR GLASS LENS

HON HONEYCOMB LOUVER

MOUNTING MONTAGE

WITHOUT ANCHOR (FIXED WIDTH)

REC1-07 7" RECTANGULAR CANOPY

REC2-12 12" RECTANGULAR CANOPY

REC3-24 24" RECTANGULAR CANOPY

REC4-48 48" RECTANGULAR CANOPY

REC5-72 72" RECTANGULAR CANOPY

WITH ANCHOR (CUSTOM WIDTH)

REC6-XX* 7" RECTANGULAR CANOPY WITH REMOTE ANCHOR

REC7-XX* 12" RECTANGULAR CANOPY WITH REMOTE ANCHOR

REC8-XX* 24" RECTANGULAR CANOPY WITH REMOTE ANCHOR (ONLY FOR P10, P11 & P12 TANGRAM MODELS)

* SPECIFY DISTANCE BETWEEN STRAPS (W), AT CEILING. PLEASE REFER TO ILLUSTRATION BELOW. FOR P10, P11 & P12 MODELS, SPECIFY THE TOTAL DISTANCE.

OVERALL HEIGHT HAUTEUR HORS TOUT

XX* OVERALL HEIGHT

* SPECIFY OVERALL HEIGHT (H), FROM BOTTOM OF THE FIXTURE TO CEILING, IN INCHES.

CANOPY FINISH FINI DU PAVILLON

BLKE BLACK FINE TEXTURE

WHE WHITE FINE TEXTURE

XX* CUSTOM RAL COLOR

* SPECIFY 4 DIGIT RAL CLASSIC CODE. LONGER LEAD TIME MAY APPLY, PLEASE CONTACT YOUR EUREKA REPRESENTATIVE.

STRAP FINISH FINI DE LA SANGLE

BLKS BLACK STRAP

SGS SILVERGRAY STRAP

PNS PINOT STRAP

OBS OCEAN BLUE STRAP

BGS BRITISH RACING GREEN XSTRAP

FIXTURE FINISH FINI DU LUMINAIRE

BLKE BLACK FINE TEXTURE

WHE WHITE FINE TEXTURE

XX* CUSTOM RAL COLOR

SPACERS WILL HAVE THE SAME FINISH AS THE FIXTURE

* SPECIFY 4 DIGIT RAL CLASSIC CODE. LONGER LEAD TIME MAY APPLY, PLEASE CONTACT YOUR EUREKA REPRESENTATIVE.

ACCESSORY EMERGENCY BATTERY ACCESSOIRE BATTERIE D'URGENCE

3981EA ELECTRICAL BOX FOR EMB EMERGENCY BATTERY

39NLAA* NLIGHT AIR GEN 2 REMOTE POWER PACK

39NLWA* NLIGHT WIRED REMOTE POWER PACK

* FOR CHICAGO PLENUM INSTALLATION, PLEASE CONTACT YOUR EUREKA REPRESENTATIVE.



SPECIFICATION

TANGRAM – TACT 4282 - WHITE TUNING

PROJECT PROJÉT
SPEC TYPE
NOTES



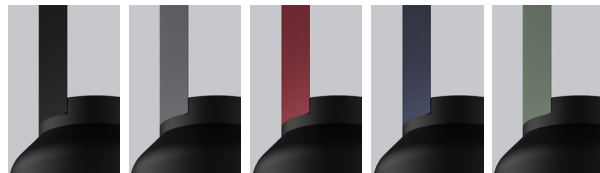
FIXTURE FINISH FINI DU LUMINAIRE



BLKE

WHE

STRAP FINISH FINI DE LA STRAP



BLKS

SGS

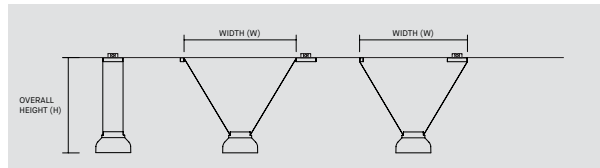
PNS

OBS

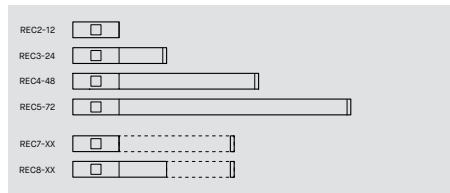
BGS

WIDTH & OVERALL HEIGHT REFERENCE

RÉFÉRENCE POUR LA LARGEUR ET LA HAUTEUR HORS-TOUT



MOUNTING OPTIONS OPTIONS DE MONTAGE



ORDERING SPECIFICATION SPÉCIFICATION DE COMMANDE

CODE

MODEL MODÈLE

(WITHOUT SPACER)

4282 TANGRAM - TACT

(WITH SPACER, PLEASE SEE CONFIGURATION PAGE)

4282-P01 TANGRAM - TACT WITH ONE 24" SPACER

4282-P02 TANGRAM - TACT WITH TWO 24" SPACERS

4282-P03 TANGRAM - TACT WITH TWO SPACERS, ONE 48" & ONE 7"

4282-P04 TANGRAM - TACT WITH ONE 7" SPACER

4282-P05 TANGRAM - TACT WITH ONE 48" SPACER

4282-P06 TANGRAM - TACT WITH ONE 48" SPACER

4282-P07 TANGRAM - TACT WITH ONE 24" SPACER

4282-P08 TANGRAM - TACT WITH TWO SPACERS, ONE 24" & ONE 7"

4282-P09 TANGRAM - TACT WITH TWO SPACERS, ONE 7" & ONE 24"

4282-P10* TANGRAM - TACT, TWO FIXTURES, ONE CANOPY & TWO ANCHORS

4282-P11* TANGRAM - TACT, FIVE FIXTURES, FOUR CANOPIES & TWO ANCHORS

4282-P12* TANGRAM - TACT, THREE FIXTURES, THREE SPACERS, TWO CANOPIES & TWO ANCHORS

* ONLY AVAILABLE WITH REC7 & REC8 MOUNTING OPTIONS

LIGHT SOURCE SOURCE LUMINEUSE

LED

LED REGULAR OUTPUT

COLOR TEMPERATURE TEMPÉRATURE DE COULEUR

TW

TW* TUNABLE WHITE (2700K TO 5000K)

* LONGER LEAD TIME MAY APPLY, PLEASE CONTACT YOUR EUREKA REPRESENTATIVE

COLOR RENDERING INDEX (CRI) INDICE DE RENDU DE COULEUR (IRC)

90

90 90+ CRI

VOLTAGE VOLTAGE

120V 120 VOLT

277V 277 VOLT

CONTROL OPTION OPTION DE CONTRÔLE

DDV DUAL 0-10V DIMMING

NLT NLIGHT NTUNE CONTROL

BEAM ANGLE ANGLE DE FAISCEAU

NA NARROW (25°)

ME MEDIUM (60°)

OPTICAL ACCESSORIES ACCESSOIRES OPTIQUES

CLR CLEAR GLASS LENS

HON HONEYCOMB LOUVER

MOUNTING MONTAGE

WITHOUT ANCHOR (FIXED WIDTH)

REC2-12 12" RECTANGULAR CANOPY

REC3-24 24" RECTANGULAR CANOPY

REC4-48 48" RECTANGULAR CANOPY

REC5-72 72" RECTANGULAR CANOPY

WITH ANCHOR (CUSTOM WIDTH)

REC7-XX* 12" RECTANGULAR CANOPY WITH REMOTE ANCHOR

REC8-XX* 24" RECTANGULAR CANOPY WITH REMOTE ANCHOR (ONLY FOR P10, P11 & P12 TANGRAM

MODELS)

* SPECIFY DISTANCE BETWEEN STRAPS (W), AT CEILING. PLEASE REFER TO ILLUSTRATION BELOW. FOR P10, P11 & P12 MODELS, SPECIFY THE TOTAL DISTANCE.

OVERALL HEIGHT HAUTEUR HORS TOUT

XX* OVERALL HEIGHT

* SPECIFY OVERALL HEIGHT (H), FROM BOTTOM OF THE FIXTURE TO CEILING, IN INCHES.

CANOPY FINISH FINI DU PAVILLON

BLKE BLACK FINE TEXTURE

WHE WHITE FINE TEXTURE

XX* CUSTOM RAL COLOR

* SPECIFY 4 DIGIT RAL CLASSIC CODE. LONGER LEAD TIME MAY APPLY, PLEASE CONTACT YOUR EUREKA REPRESENTATIVE.

STRAP FINISH FINI DE LA STRAP

BLKS BLACK STRAP

SGS SILVERGRAY STRAP

PNS PINOT STRAP

OBS OCEAN BLUE STRAP

BGS BRITISH RACING GREEN STRAP

FIXTURE FINISH FINI DU LUMINAIRE

BLKE BLACK FINE TEXTURE

WHE WHITE FINE TEXTURE

XX* CUSTOM RAL COLOR

SPACERS WILL HAVE THE SAME FINISH AS THE FIXTURE

* SPECIFY 4 DIGIT RAL CLASSIC CODE. LONGER LEAD TIME MAY APPLY, PLEASE CONTACT YOUR EUREKA REPRESENTATIVE.

PRODUCT CHARACTERISTICS CARACTÉRISTIQUES DU PRODUIT



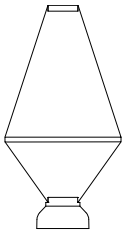
3.5"
(89mm)
x 3.5"
(89mm)



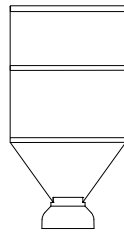
SPECIFICATION

TANGRAM – TACT 4282

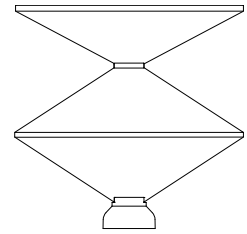
ALL CONFIGURATIONS BELOW ARE SHOWN WITH AN 60" OVERALL HEIGHT.



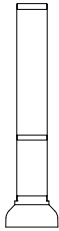
428X-P01
ONE 24" SPACER AT THE FIRST THIRD THE TOTAL HEIGHT
SHOWN WITH A REC1-07 CANOPY.



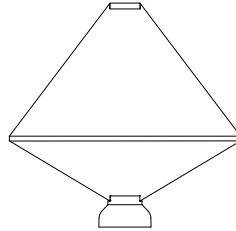
428X-P02
TWO 24" SPACERS AT EACH THIRD OF THE TOTAL HEIGHT.
SHOWN WITH A REC3-24 CANOPY.



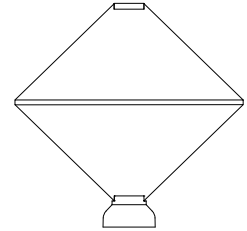
428X-P03
ONE 48" SPACER AT THE FIRST THIRD AND ONE 7" SPACER AT
THE SECOND THIRD.
SHOWN WITH A REC4-48 CANOPY.



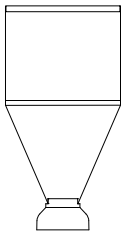
428X-P04
ONE 7" SPACER AT THE FIRST THIRD OF THE TOTAL HEIGHT.
SHOWN WITH A REC1-07 CANOPY.



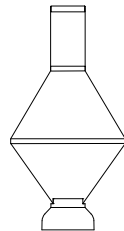
428X-P05
ONE 48" SPACER AT THE FIRST THIRD OF THE TOTAL HEIGHT.
SHOWN WITH A REC1-07 CANOPY.



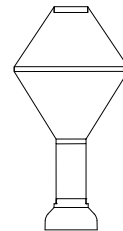
428X-P06
ONE 48" SPACER AT THE MIDDLE OF THE TOTAL HEIGHT.
SHOWN WITH A REC1-07 CANOPY.



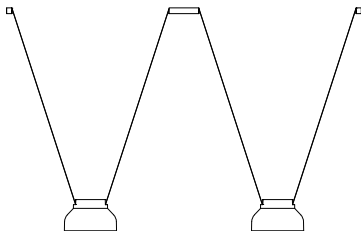
428X-P07
ONE 24" SPACER AT THE MIDDLE OF THE TOTAL HEIGHT.
SHOWN WITH A REC3-24 CANOPY.



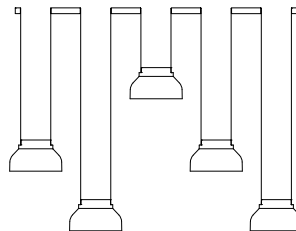
428X-P08
ONE 24" SPACER AT THE FIRST THIRD AND ONE
7" SPACER AT THE SECOND THIRD.
SHOWN WITH A REC1-07 CANOPY.



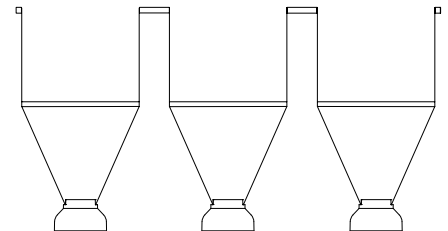
428X-P09
ONE 7" SPACER AT THE FIRST THIRD AND ONE 24" SPACER AT
THE SECOND THIRD.
SHOWN WITH A REC1-07 CANOPY.



428X-P10
TWO FIXTURES WITH TWO ANCHORS.
SHOWN WITH A REC6-XX CANOPY.



428X-P11
FIVE FIXTURES WITH TWO ANCHORS.
SHOWN WITH A REC6-XX CANOPY.



428X-P12
THREE FIXTURES WITH THREE SPACERS, EACH AT THE MIDDLE
OF THE TOTAL HEIGHT, AND TWO ANCHORS.
SHOWN WITH A REC6-XX CANOPY.

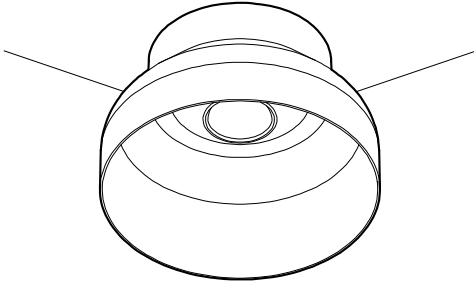
CUSTOM CONFIGURATIONS

FOR CUSTOM CONFIGURATIONS, SIMPLY CONTACT THE FACTORY AND WE WILL BE PLEASED TO DISCUSS YOUR DESIGN REQUIREMENTS.

TANGRAM TACT - 4282 & 4582

SURFACE OPTION

Tangram-Tact can also be installed on a ceiling by the means of a concealed surface mount system.



SPACER

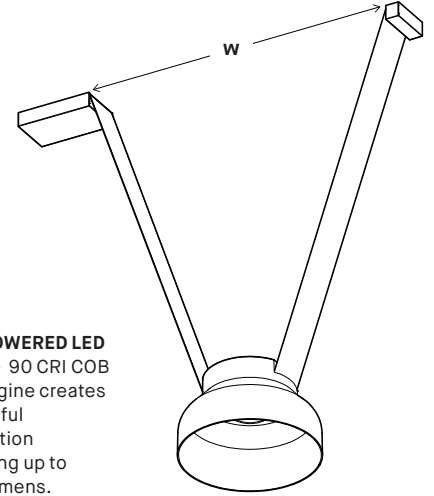
(Optional) A pre-installed and field adjustable spacer is available in 4 different sizes. Choose among 12 preconfigured options using the spacer to amplify the geometry of the luminaire.

STRAP SUSPENSION

Fixture is suspended by two high quality UV resistant straps housing an imperceptible flat power cable. Available in 5 eye-catching colors.

CUSTOM WIDTH

Canopy and anchor distance can be specified to create a variety of strap angles. They can be positioned inside or outside as desired.

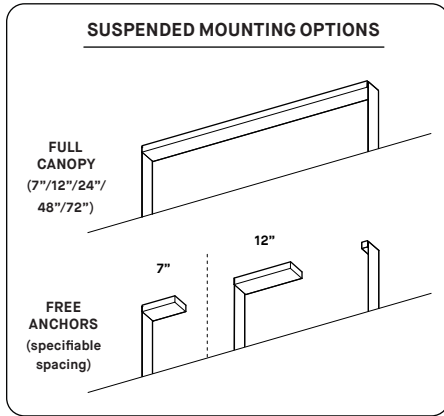


HIGH POWERED LED

A single 90 CRI COB light engine creates a powerful illumination delivering up to 3300 lumens.

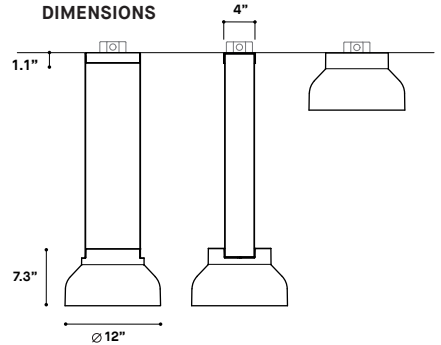
OPTICS

Choose between a honeycomb or glass optic combined with a narrow or wide beam reflector for an accurate, high quality illumination.



LIGHT CUT-OFF

This thick spun shade creates a softer feel through its friendly round shape. It helps hide the light source while reducing overall glare.



PRODUCT SPECIFICATION

PERFORMANCE	NARROW BEAM - CLEAR LENS (NA - CLR)				MEDIUM BEAM - CLEAR LENS (ME - CLR)				NARROW BEAM - LOUVER (NA - HON)			
	LOW	REG	HO	TW	LOW	REG	HO	TW	LOW	REG	HO	TW
SYSTEM WATTAGE	14.3 W	25.3 W	34.3 W	15.3 W	14.3 W	25.3 W	34.3 W	15.3 W	14.3 W	25.3 W	34.3 W	15.3 W
DELIVERED LUMENS (4000K - WHE)	1537 LM	2554 LM	3318 LM	1388 LM	1537 LM	2554 LM	3318 LM	1388 LM	1537 LM	2554 LM	3318 LM	1388 LM
EFFICACY	107 LM/W	101 LM/W	97 LM/W	91 LM/W	107 LM/W	101 LM/W	97 LM/W	91 LM/W	107 LM/W	101 LM/W	97 LM/W	91 LM/W

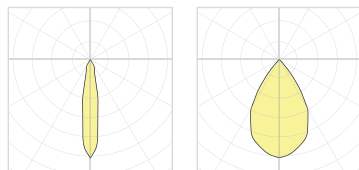
OTHER INFORMATION

LUMINAIRE'S WEIGHT	6 LBS / 2.8 KG	6 LBS / 2.8 KG	6 LBS / 2.8 KG
L70 (LUMEN MAINTENANCE) LO/REG/HO	> 60 000 HRS	> 60 000 HRS	> 60 000 HRS
LIGHT QUALITY STATIC/TW	R9 > 70 / R9 > 50	R9 > 70 / R9 > 50	R9 > 70 / R9 > 50

EFFICACY MULTIPLIERS

CCT	FACTOR	TW FACTOR
5000K	-	0.93
4000K	1.00	1.00
3500K	0.97	0.99
3000K	0.93	0.98
2700K	0.89	0.91

LIGHT DISTRIBUTION



NARROW BEAM - LENS

MEDIUM BEAM - LENS

Polyester straps comply with the horizontal burning flame test of Clause 17.25 CSA C22.2 No. 250.0:21 / UL 1598 5th Ed / NMX-J-307/1-ANCE Fourth Edition.



Visit our website for warranty terms and conditions.

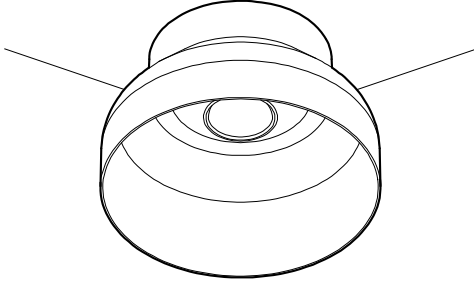


TECHNICAL DATA

TANGRAM TACT - 4282 & 4582

OPTION SURFACE

Tangram-Tact peut également être installé au plafond à l'aide de son système de montage dissimulé.



MEMBRURE D'ESPACEMENT

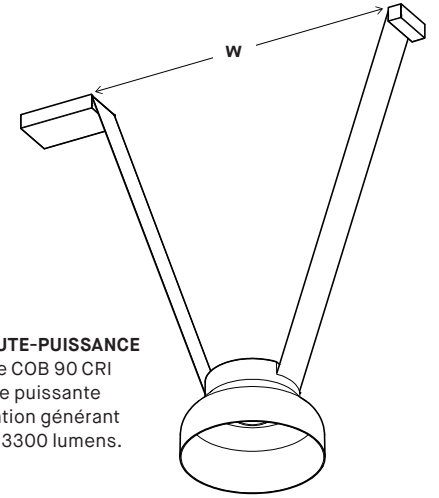
(Optionnel) Une membrure pré-installée et ajustable sur place est disponible en 4 longueurs. Choisissez parmi 12 pré-configurations avec membrures pour accentuer la géométrie du luminaire.

SANGLES DE SUSPENSION

Le luminaire est suspendu par deux sangles de qualité supérieure à résistance UV abritant un câble plat imperceptible. Disponible en 5 couleurs.

LARGEUR PERSONNALISABLE

La distance entre le pavillon et l'ancrage peut être spécifiée afin de créer une variété d'angles. Ils peuvent être positionnés à l'intérieur ou à l'extérieur



LED HAUTE-PUISSANCE

L'unique COB 90 CRI crée une puissante illumination générant jusqu'à 3300 lumens.

OPTIQUE

Choisissez entre une lentille en verre ou un déflecteur gaufré accompagné d'un réflecteur large ou étroit pour un éclairage précis de haute qualité.

OPTIONS DE MONTAGE SUSPENDU

PAVILLON
PLEINE
LARGEUR
(7"/12"/24"/
48"/72")

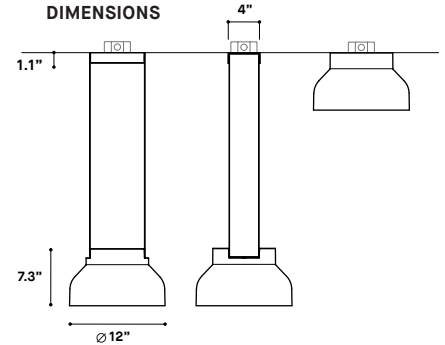
ANCRAGES
LIBRES
(distance
spécifiée)

7" 12"

ABAT-JOUR

Un abat-jour en métal tourné amène une sensation de douceur à travers sa forme courbe. Camouflant d'une part la source lumineuse, il réduit également l'éblouissement.

DIMENSIONS



SPÉCIFICATION PRODUIT

PERFORMANCE	FAISCEAU ÉTROIT - LENTILLE CLEAR (NA - CLR)				FAISCEAU MOY. - LENTILLE CLEAR (ME - CLR)				FAISCEAU ÉTROIT - DÉFLECTEUR (NA - HON)			
	LOW	REG	HO	TW	LOW	REG	HO	TW	LOW	REG	HO	TW
PUISSANCE TOTALE	14.3 W	25.3 W	34.3 W	15.3 W	14.3 W	25.3 W	34.3 W	15.3 W	14.3 W	25.3 W	34.3 W	15.3 W
LUMENS RÉELS (4000K - WHE)	1537 LM	2554 LM	3318 LM	1388 LM	1537 LM	2554 LM	3318 LM	1388 LM	1537 LM	2554 LM	3318 LM	1388 LM
EFFICACITÉ	107 LM/W	101 LM/W	97 LM/W	91 LM/W	107 LM/W	101 LM/W	97 LM/W	91 LM/W	107 LM/W	101 LM/W	97 LM/W	91 LM/W

AUTRES INFORMATIONS

POIDS DU LUMINAIRE
L70 (MAINTENANCE DE LA LUMIÈRE) LO/REG/HO
QUALITÉ LUMINEUSE STATIQUE/TW

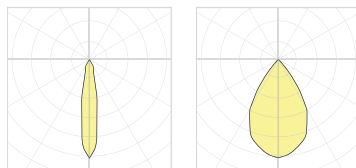
6 LBS / 2.8 KG
> 60 000 H
R9 > 70 / R9 > 50

6 LBS / 2.8 KG
> 60 000 H
R9 > 70 / R9 > 50

FACTEUR D'EFFICACITÉ

CCT	FACTOR	TW FACTOR
5000K	-	0.93
4000K	1.00	1.00
3500K	0.97	0.99
3000K	0.93	0.98
2700K	0.89	0.91

DISTRIBUTION LUMINEUSE



F. ÉTROIT - LENTILLE

F. MOYEN - LENTILLE

Les sangles en polyester sont conformes à l'essai de flamme horizontale de la clause 17.25 CSA C22.2 No. 250.0:21 / UL 1598 5th Ed / NMX-J-307/1-ANCE Fourth Edition.



Visitez notre site Web pour les termes et conditions.



DONNÉES TECHNIQUES

TANGRAM TRACE - 74280

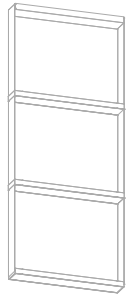
CONFIGURATION GUIDE

STEP 1 - CHOOSE YOUR FIXTURE

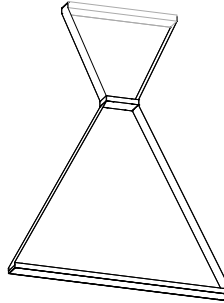
Choose among a variety of 9 preconfigurations. Refer to specification sheet to view all available options.



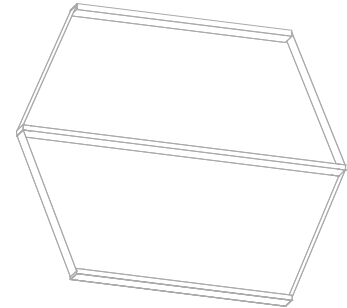
74280-24



74280-L02



74280-L04

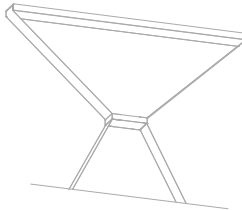
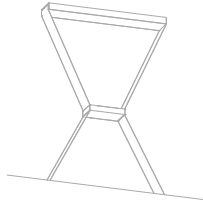
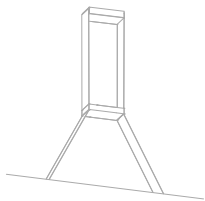


74280-L06



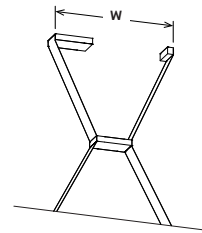
STEP 2 - CHOOSE YOUR MOUNTING OPTION AND OVERALL WIDTH (W)

Change the look of your fixture by selecting a different mounting option and customizing the width between the anchors for distinct strap angles.



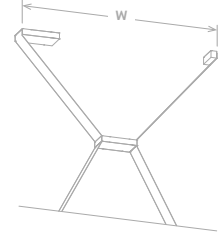
FULL LENGTH CANOPY
FIXED WIDTH

OR



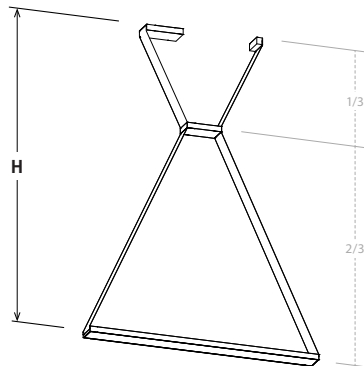
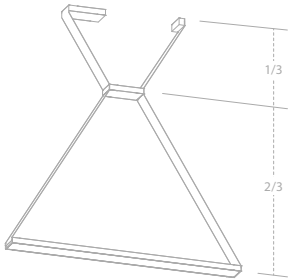
W = 24"

CANOPY WITH ANCHOR
SPECIFY OVERALL WIDTH (W)

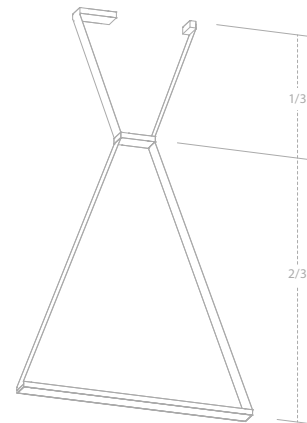


STEP 3 - SPECIFY OVERALL HEIGHT

Specify the overall height from the bottom of the fixture to the ceiling preserving the same component height proportions.



H = 66"



Strap Material Color Options



Eureka Code	BGS British Racing Green	BLKS Black	OBS Ocean Blue	PNS Pinot	SGS Silver Gray
Pantone Color Match	17-6212	Standard Black	19-4029	19-1930	20-0009
SUGGESTED COMBINATIONS					
Eureka Finish Combo	PGE*	BLKE	NBE	N/A	LGE*
RAL K7 Combo	6011*	9004	5003	3011*	7046*
Eureka Felt Combo	DTF Deep Teal Green*	BBF Black	OBF Ocean Blue	PNF Pinot Noir	TGF Titanium Gray

*Tone-on-tone combo

- Colors shown for visual reference only. To visualize finishes properly, use appropriate Pantone color chart, RAL color chart or felt samples.
- Due to the dye process, colors may vary slightly from batch to batch.
- Consult your sales representative or factory to get a sample.